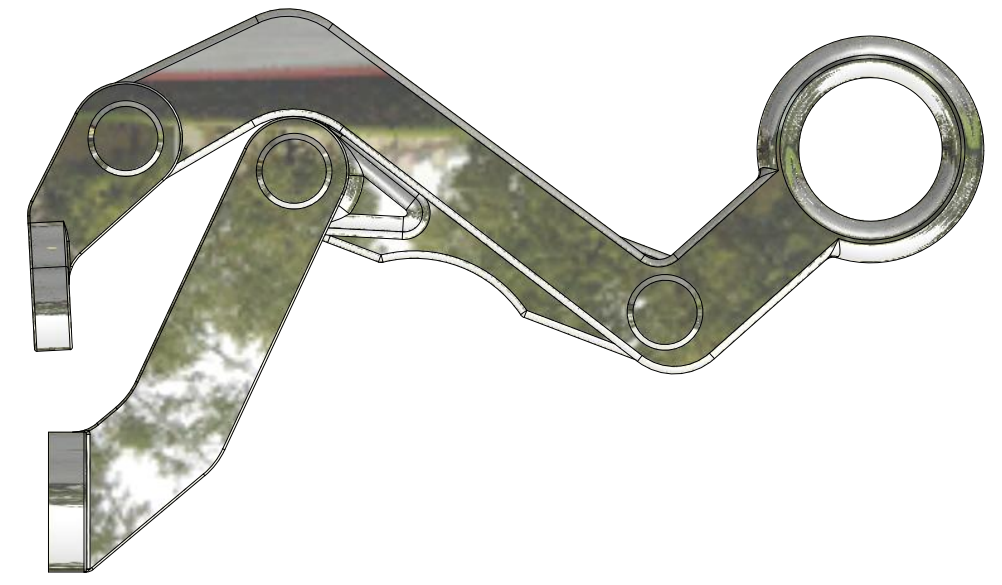
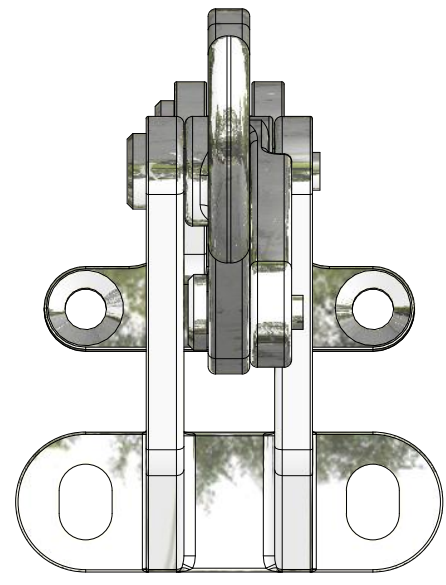
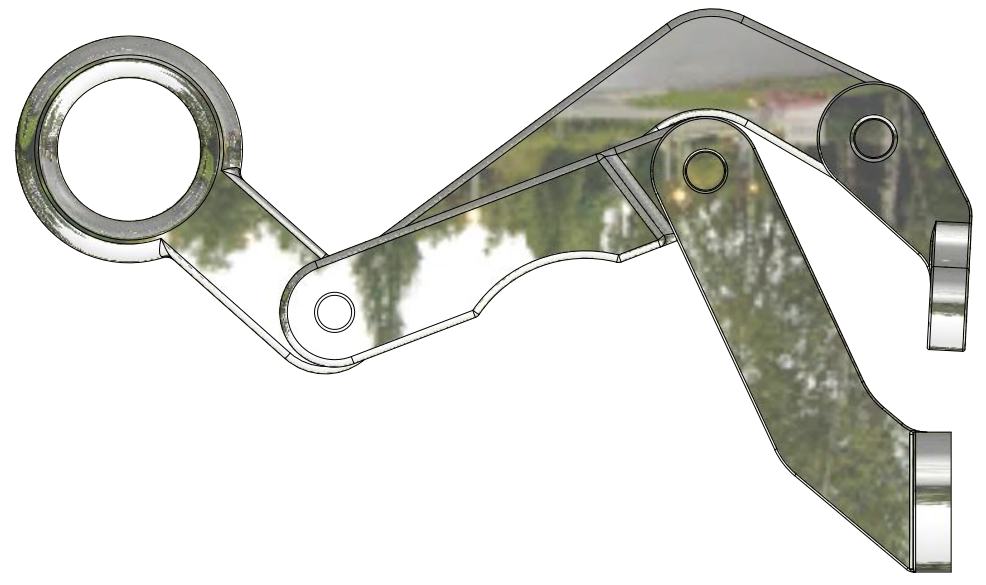


6 5 4 3 2 1

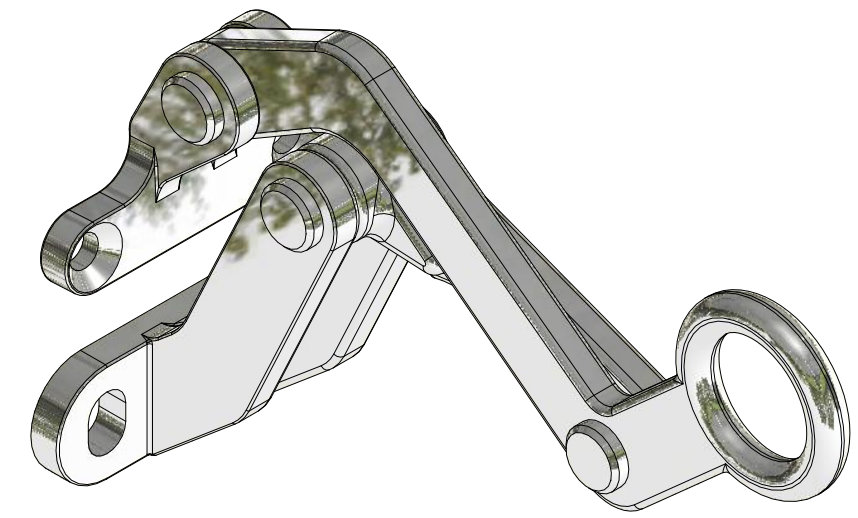
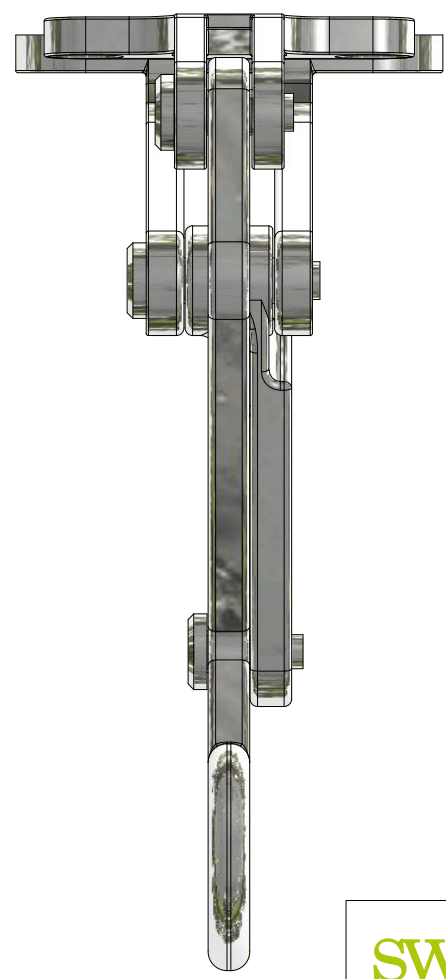
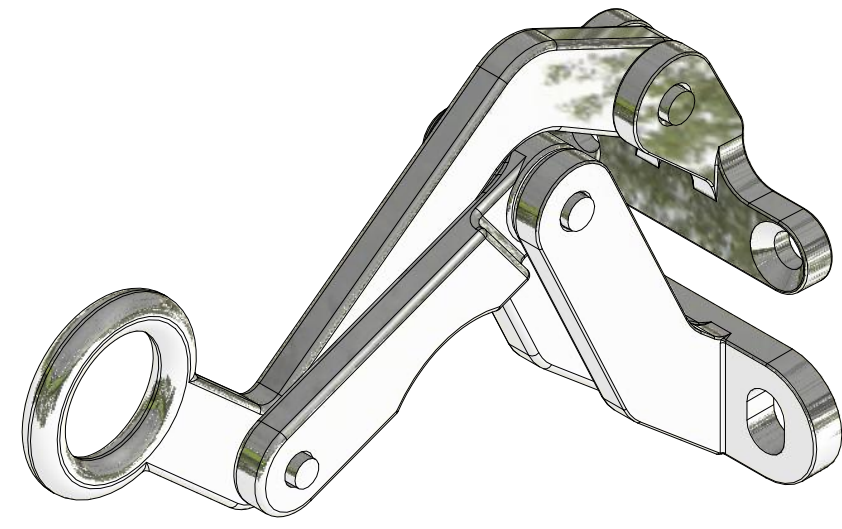
D

D



C

C



B

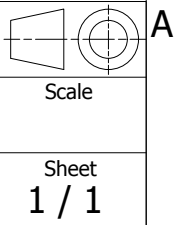
B

A

A

6 5 4 3 2 1



Issue	Date 29/04/2013	Material	Finish	
Designed By terry	Part No.	B99S assy		
Checked By	Description		Sheet 1 / 1	